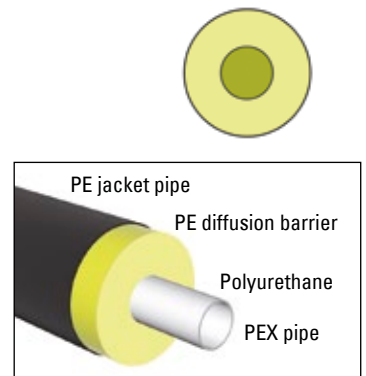


# isopex - single pipe - domestic water

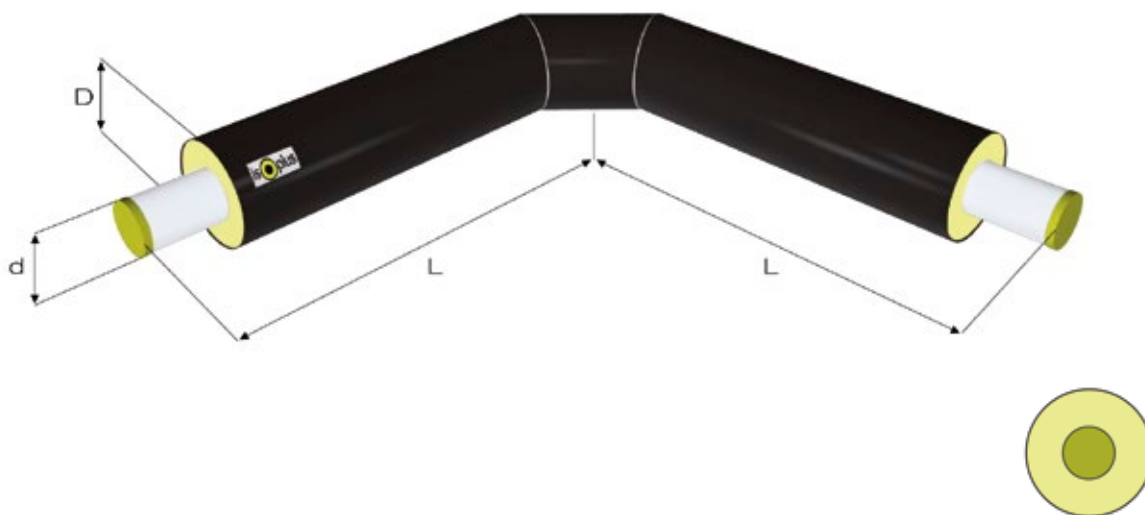
11.1



## isopex - single pipe - domestic water

PEX pipe			Jacket pipe		Bending radius	Weight	Water quantity	Std length
d outside mm	Wall thickness mm	d inside mm	D outside mm	Wall thickness mm	m	kg/m	l/m	max. m
20*	2,8	14,4	65	2,2	0,6	0,78	0,16	360
25	3,5	18	75	2,2	0,7	0,99	0,25	360
32	4,4	23,2	75	2,2	0,8	1,10	0,42	360
40	5,5	29	90	2,2	0,8	1,53	0,66	250
50	6,9	36,2	110	2,5	0,9	2,27	1,02	200
63	8,7	45,6	125	2,5	1,0	3,05	1,63	150
75*	10,3	54,4	140	3,0	1,2	4,07	2,32	140
90*	12,3	65,4	160	3,0	1,4	5,34	3,36	120
110*	15,1	79,8	180	3,0	1,4	7,14	5,00	85

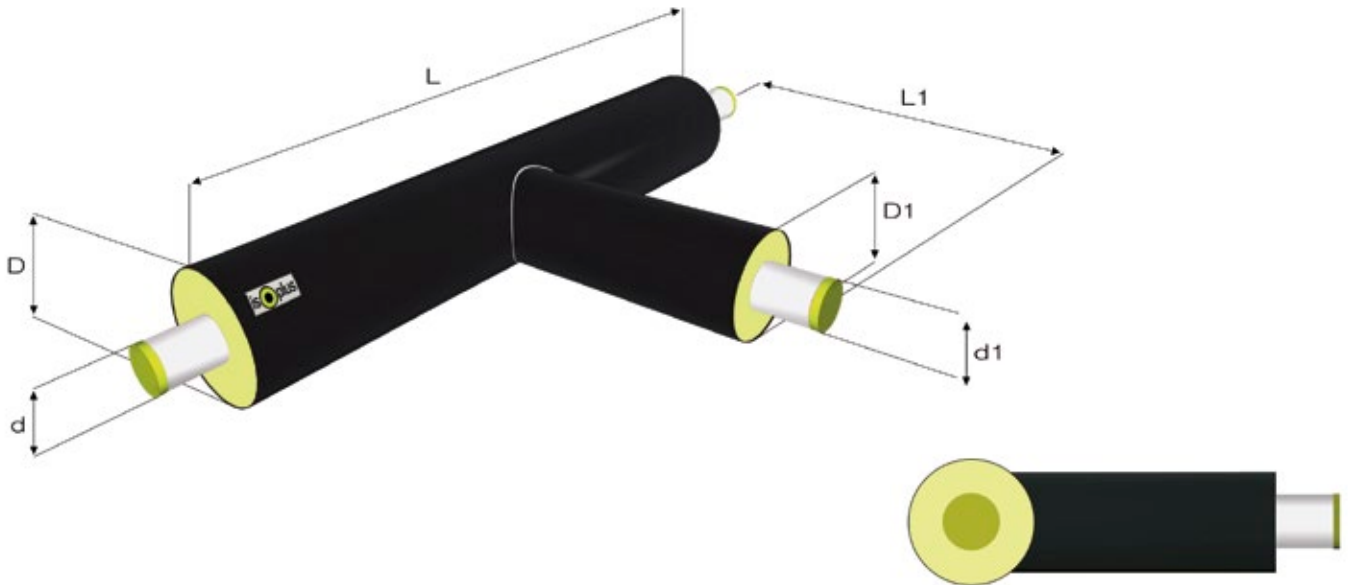
\*Delivery according to agreement.


**Bends - isopex - single - domestic water**

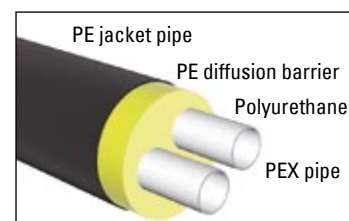
PEX pipe		Jacket pipe	Length
d outside mm	Wall thickness mm	D outside mm	L mm
25	3,5	75	1000 x 1500
32	4,4	75	1000 x 1500
40	5,5	90	1000 x 1500
50	6,9	110	1000 x 1500
63	8,7	125	1000 x 1500

Only available as 90° bend.  
Other leg lengths are also available.

**Branches with PEX carrier pipe - single pipe - domestic water 11.1.2**



Delivery according to agreement.


**isopex - double pipe - domestic water**

PEX pipe			Jacket pipe		Bending radius	Weight	Water quantity	Std length
d outside mm	Wall thickness mm	d inside mm	D outside mm	Wall thickness mm	m	kg/m	l/m	maks. m
25+20	3,5+2,8	18,0+14,4	90	2,2	0,9	1,21	0,25+0,16	250
32+20	4,4+2,8	23,2+14,4	110	2,2	0,9	1,69	0,42+0,16	200
40+25	5,5+3,5	29,0+18,0	125	2,2	1,0	2,20	0,66+0,25	200
50+32	6,9+4,4	36,2+23,2	140	2,2	1,1	3,02	1,02+0,42	250
63+32	8,7+4,4	45,6+23,2	160	2,5	1,2	3,91	1,63+0,42	200

## Bends with PEX carrier pipe - double - domestic water

11.2.1

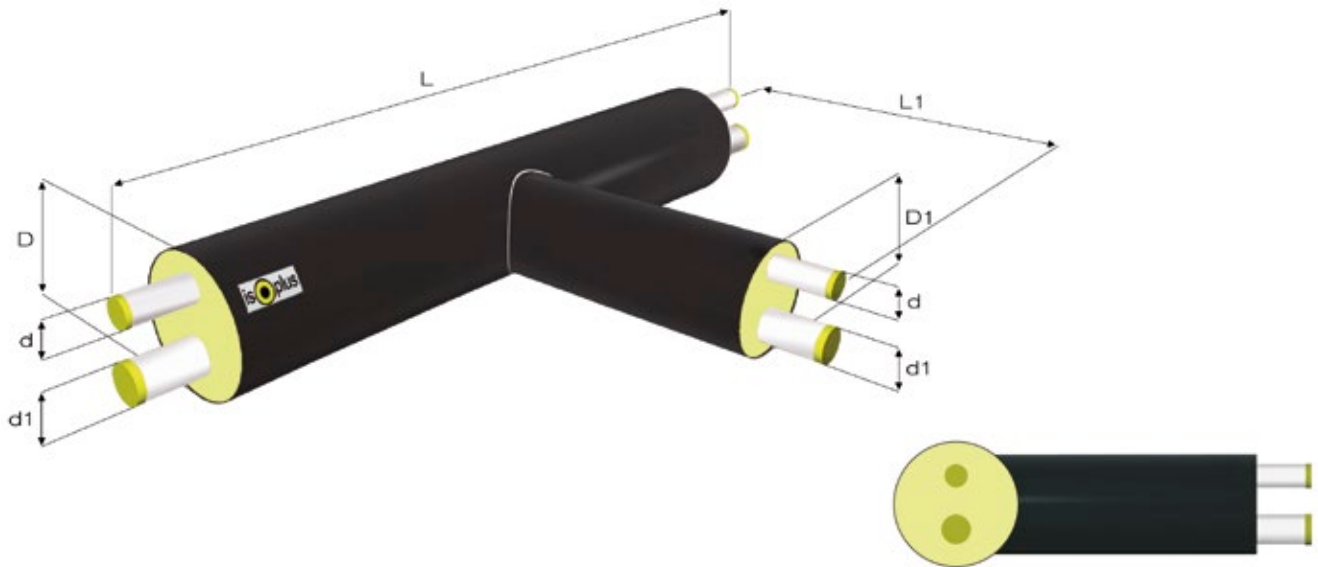


### Bends - isopex - double - domestic water

PEX pipe		Jacket pipe	Leg length
d-d1 outside mm	Wall thickness mm	D outside mm	L mm
25-20	3,5-2,8	90	1000 x 1500
32-20	4,4-2,8	110	1000 x 1500
40-25	5,5-3,5	125	1000 x 1500
50-32	6,9-4,4	140	1000 x 1500
63-32	8,7-4,4	160	1000 x 1500

Only available as 90° bend.  
Other leg lengths are also available.

Branches with PEX carrier pipe - double pipe - domestic water 11.2.2



Delivery according to agreement.

# Press fittings - 10 bar - isopex - domestic water

11.3

## Connector



PEX pipe d outside mm	20	25	32	40	50	63
-----------------------	----	----	----	----	----	----

## Connector 90°



PEX pipe d outside mm	20	25	32	40	50	63
-----------------------	----	----	----	----	----	----

## Socket/nipple



PEX pipe d outside mm	20	25	32	40	50	63
Pipe thread	3/4"	3/4"	1"	1 1/4"	1 1/2"	2"

## T-piece



Branch PEX d outside mm	Run pipe PEX d outside mm								
	20	25	32	40	50	63	75	90	110
20	x	x	x	x	x	x	x	x	x
25		x	x	x	x	x	x	x	x
32			x	x	x	x	x	x	x
40				x	x	x	x	x	x
50					x	x	x	x	x
63						x	x	x	x
75							x	x	x
90								x	x
110									x

Also available with run pipe reduction, e.g. 63-32-50 mm.

All fittings are approved for drinking water.

## Nipple 90°



PEX pipe d outside mm	20	25	32	40	50	63
Pipe thread	3/4"	3/4"	1"	1 1/4"	1 1/2"	2"

**Connector**



PEX pipe d outside mm	20	25	32	40	50	63	75	90	110
-----------------------	----	----	----	----	----	----	----	----	-----

**Connector 90°**



PEX pipe d outside mm	20	25	32	40	50	63	75	90	110
-----------------------	----	----	----	----	----	----	----	----	-----

**Socket / nipple**



PEX pipe d outside mm	20	25	32	40	50	63	75	90	110
Pipe thread	3/4"	3/4"	1"	1 1/4"	1 1/2"	2"	2 1/2"	3"	4"

**T-piece**



Branch PEX	Run pipe PEX d outside mm								
d outside mm	20	25	32	40	50	63	75	90	110
20	x	x	x	x	x	x	x	x	x
25		x	x	x	x	x	x	x	x
32			x	x	x	x	x	x	x
40				x	x	x	x	x	x
50					x	x	x	x	x
63						x	x	x	x
75							x	x	x
90								x	x
110									x

Also available with run pipe reduction, e.g. 63-32-50 mm.

Sockets/nipples are also available with other pipe threads.

All fittings are approved for drinking water.

**Socket / nipple 90°**



PEX pipe d outside mm	20	25	32	40	50	63	75	90	110
Pipe thread	3/4"	3/4"	1"	1 1/4"	1 1/2"	2"	2 1/2"	3"	4"