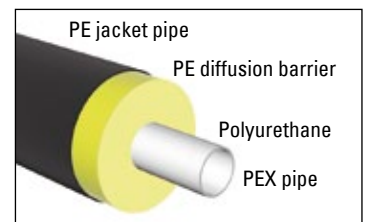


isopex - single pipe - heating - 6 bar

10.1



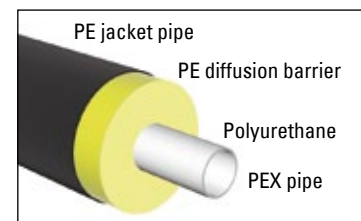
isopex - single pipe - heating - 6 bar - series 1

PEX pipe			Jacket pipe		Bending radius	Weight	Water quantity	Std length
d outside mm	Wall thickness mm	d inside mm	D outside mm	Wall thickness mm	m	kg/m	l/m	max. m
20*	2,0	16,0	65	2,2	0,7	0,90	0,20	360
25	2,3	20,4	75	2,2	0,7	0,92	0,33	360
32	2,9	26,2	75	2,2	0,8	0,99	0,54	360
40	3,7	32,6	90	2,2	0,8	1,37	0,83	250
50	4,6	40,8	110	2,5	0,9	2,01	1,31	250
63	5,8	51,4	125	2,5	1,0	2,63	2,07	170
75	6,8	61,4	140	3,0	1,1	3,46	2,96	150
90	8,2	73,6	160	3,0	1,2	4,49	4,25	120
110	10,0	90,0	180	3,0	1,4	5,85	6,36	85
125	11,4	102,2	180	3,0	1,4	6,52	8,20	85
140	12,7	114,6	200	3,0	1,8	7,37	10,32	75

isopex - single pipe - heating - 6 bar - series 2

PEX pipe			Jacket pipe		Bending radius	Weight	Water quantity	Std length
d outside mm	Wall thickness mm	d inside mm	D outside mm	Wall thickness mm	m	kg/m	l/m	max. m
20*	2,0	16,0	75	2,2	0,7	0,90	0,20	360
25	2,3	20,4	90	2,2	0,8	1,18	0,33	250
32	2,9	26,2	90	2,2	0,8	1,25	0,54	250
40	3,7	32,6	110	2,5	0,9	1,84	0,83	200
50	4,6	40,8	125	2,5	1,0	2,35	1,31	170
63	5,8	51,4	140	3,0	1,1	3,17	2,07	150
75	6,8	61,4	160	3,0	1,2	4,02	2,96	120
90	8,2	73,6	180	3,0	1,4	5,10	4,25	85
110	10,0	90,0	200	3,0	1,6	6,38	6,36	75
125	11,4	102,2	200	3,0	1,6	7,05	8,20	75

*Delivery according to agreement.


isopex - single pipe - heating - 10 bar - series 1

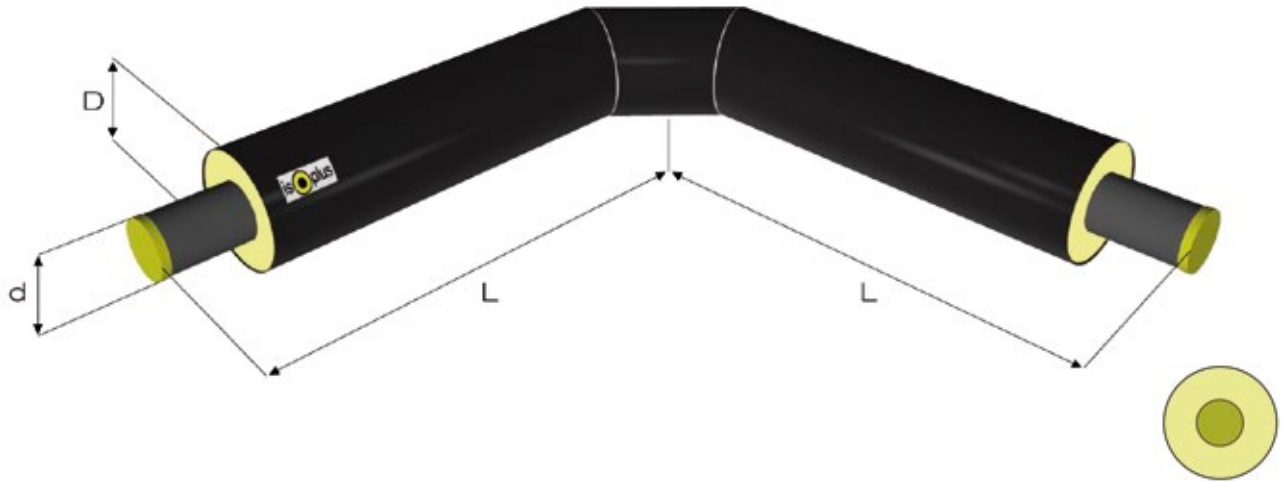
PEX pipe			Jacket pipe		Bending radius	Weight	Water quantity	Std length
d outside mm	Wall thickness mm	d inside mm	D outside mm	Wall thickness mm	m	kg/m	l/m	max. m
25	3,5	18,0	75	2,2	0,7	0,99	0,25	360
32	4,4	23,2	75	2,2	0,8	1,10	0,42	360
40	5,5	29,0	90	2,2	0,8	1,53	0,66	250
50	6,9	36,2	110	2,5	0,9	2,27	1,03	200
63	8,7	45,6	125	2,5	1,0	3,05	1,63	150
75	10,3	54,4	140	3,0	1,3	4,07	2,32	140
90	12,3	65,4	160	3,0	1,5	5,34	3,36	120
110	15,1	79,8	180	3,0	1,7	7,14	5,00	85

isopex - single pipe - heating - 10 bar - series 2

PEX pipe			Jacket pipe		Bending radius	Weight	Water quantity	Std length
d outside mm	Wall thickness mm	d inside mm	D outside mm	Wall thickness mm	m	kg/m	l/m	max. m
25	3,5	18,0	90	2,2	1,0	1,25	0,25	250
32	4,4	23,2	90	2,2	1,0	1,36	0,42	250
40	5,5	29,0	110	2,5	1,1	2,00	0,66	200
50	6,9	36,2	125	2,5	1,2	2,61	1,03	150
63	8,7	45,6	140	3,0	1,3	3,59	1,63	140
75	10,3	54,4	160	3,0	1,4	4,62	2,32	120
90	12,3	65,4	180	3,0	1,6	5,95	3,36	85
110	15,1	79,8	200	3,0	1,8	7,67	5,00	75

Bends with steel carrier pipe - single - heating

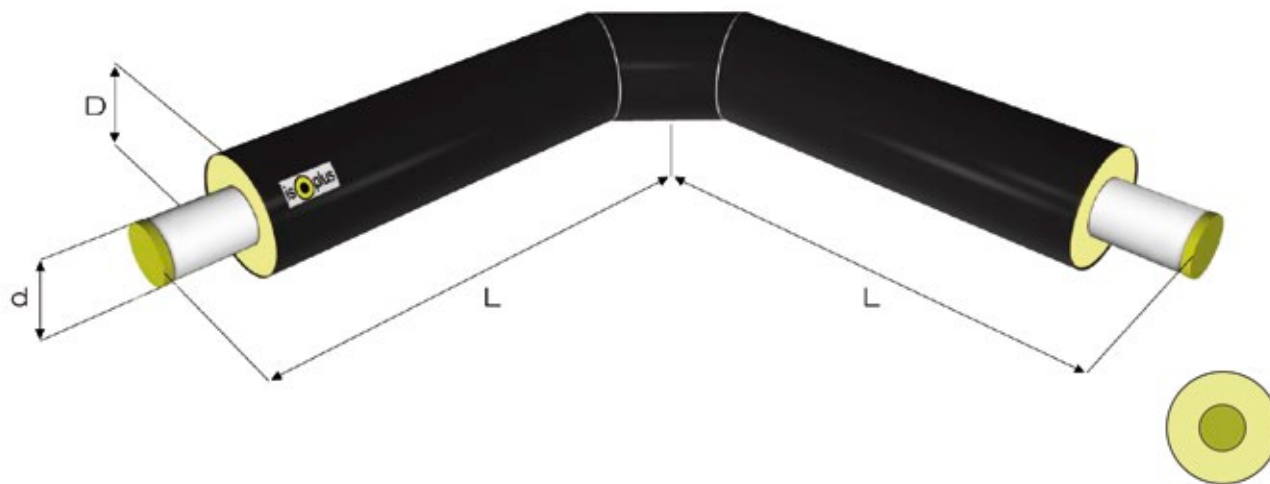
10.1.2



Bends with steel carrier pipe - single - heating

PEX pipe	Steel pipe	Jacket pipe	Length
dp outside mm	d outside mm	D outside mm	L mm
20	26,9	90	1000 x 1000
25	26,9	90	1000 x 1000
32	33,7	90	1000 x 1000
40	42,4	110	1000 x 1000
50	48,3	110	1000 x 1000
63	60,3	125	1000 x 1000
75	76,1	140	1000 x 1000
90	88,9	160	1000 x 1000
110	114,3	200	1000 x 1000
125	139,7	225	1000 x 1000
140	139,7	250	1000 x 1000

Bends are available with welded-on press weld adapters.
Other leg lengths are also available.
dp corresponds to the PEX pipe's diameter.



Bends with PEX carrier pipe - single - heating

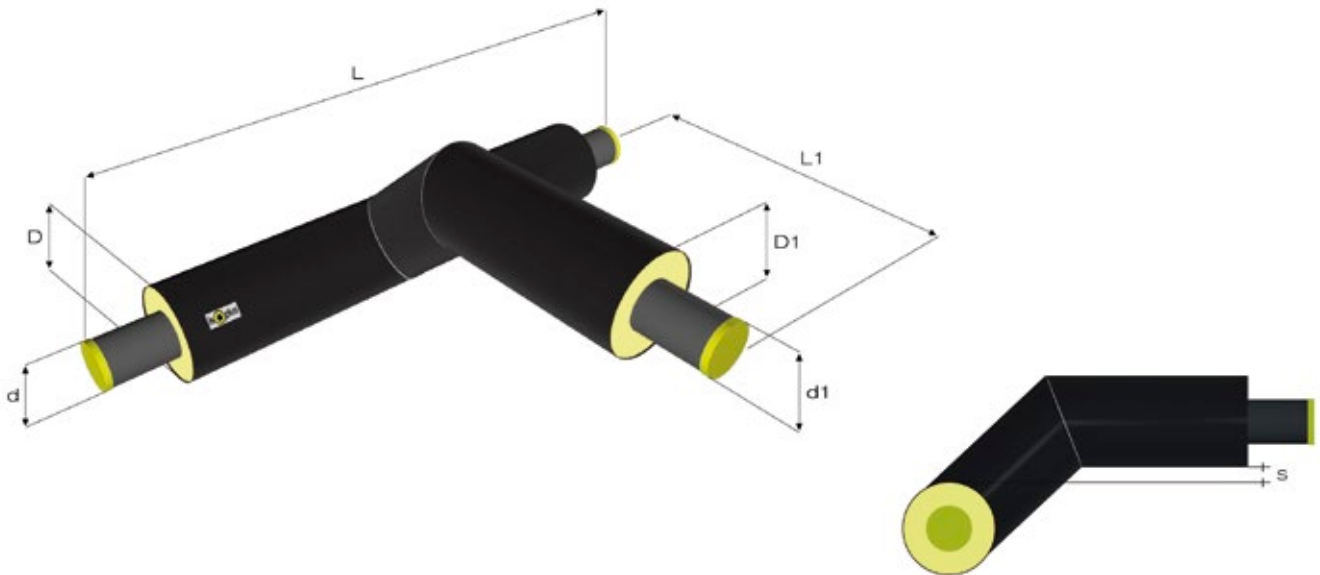
	Series 1	Series 2	
PEX pipe	Jacket pipe	Jacket pipe	Length
d outside mm	D outside mm	D outside mm	L mm
20*	65	75	1000 x 1500
25	75	90	1000 x 1500
32	75	90	1000 x 1500
40	90	110	1000 x 1500
50	110	125	1000 x 1500
63	125	140	1000 x 1500
75**	140	160	1000 x 1500
90**	160	180	1000 x 1500
110**	180	200	1000 x 1500
125**	180	200	1000 x 1500
140**	200	-	1000 x 1500

*Delivery according to agreement.

**Only available in 6 bar.

Branches with steel carrier pipe - 45° - single - heating

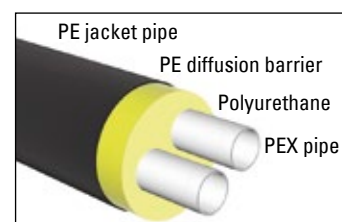
10.1.4



Branches with steel carrier pipe - 45° - single - heating

		dp mm	20	25	32	40	50	63	75	90	110	125	140	
		d mm	26,9	26,9	33,7	42,4	48,3	60,3	76,1	88,9	114,3	139,7	139,7	
		D mm	90	90	90	110	110	125	140	160	200	225	250	
dp1 mm	d1 mm	D1 mm	s mm	Main pipe / Branch pipe L/L1										
20	26,9	90	70	1100/695	1100/695	1100/695	1100/705	1100/705	1100/710	1100/720	1100/730	1100/750	1100/760	1100/775
25	26,9	90	70		1100/695	1100/695	1100/705	1100/705	1100/710	1100/720	1100/730	1100/750	1100/760	1100/775
32	33,7	90	70			1100/695	1100/705	1100/705	1100/710	1100/720	1100/730	1100/750	1100/760	1100/775
40	42,4	110	70				1100/715	1100/715	1100/720	1100/730	1100/740	1100/760	1100/770	1100/785
50	48,3	110	70					1100/715	1100/720	1100/730	1100/740	1100/760	1100/770	1100/785
60	60,3	125	70						1100/730	1100/735	1100/745	1100/765	1100/780	1100/790
75	76,1	140	70							1100/745	1100/745	1100/775	1100/785	1100/800
90	88,9	160	70								1200/800	1200/800	1200/800	1200/800
110	114,3	200	70									1200/800	1200/800	1200/800
125	139,7	225	70										1300/850	1300/850
140	139,7	250	70											1300/850

Tees are available with welded-on press weld adapters.
dp and dp1 corresponds to the PEX pipe's diameter.


isopex - double pipe - heating - 6 bar - series 1

PEX pipe			Jacket pipe		Bending radius	Weight	Water quantity	Std length
d outside mm	Wall thickness mm	d inside mm	D outside mm	Wall thickness mm	m	kg/m	l/m	max. m
20+20	2,0	16,0+16,0	75	2,2	0,9	0,97	0,20+0,20	360
25+25	2,3	20,4+20,4	90	2,2	0,9	1,37	0,33+0,33	250
32+32	2,9	26,2+26,2	110	2,5	0,9	1,91	0,54+0,54	200
40+40	3,7	32,6+32,6	125	2,5	1,0	2,48	0,83+0,83	150
50+50	4,6	40,8+40,8	160	3,0	1,2	3,70	1,31+1,31	120
63+63	5,8	51,4+51,4	180	3,0	1,4	4,48	2,07+2,07	85
75+75	6,8	61,4+61,4	200	3,0	1,6	5,94	2,96+2,96	75

isopex - double pipe - heating - 6 bar - series 2

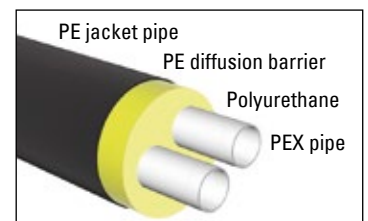
PEX pipe			Jacket pipe		Bending radius	Weight	Water quantity	Std length
d outside mm	Wall thickness mm	d inside mm	D outside mm	Wall thickness mm	m	kg/m	l/m	max. m
20+20	2,0	16,0+16,0	90	2,2	0,9	1,23	0,20+0,20	250
25+25	2,3	20,4+20,4	110	2,5	0,9	1,77	0,33+0,33	200
32+32	2,9	26,2+26,2	125	2,5	1,0	2,25	0,54+0,54	150
40+40	3,7	32,6+32,6	140	3,0	1,2	2,83	0,83+0,83	140
50+50	4,6	40,8+40,8	180	3,0	1,4	4,28	1,31+1,31	85
63+63	5,8	51,4+51,4	200	3,0	1,6	5,35	2,07+2,07	75

isopex - double pipe - heating - 6 bar - series 3

PEX pipe			Jacket pipe		Bending radius	Weight	Water quantity	Std length
d outside mm	Wall thickness mm	d inside mm	D outside mm	Wall thickness mm	m	kg/m	l/m	max. m
20+20	2,0	16,0+16,0	110	2,2	0,9	1,70	0,20+0,20	250
25+25	2,3	20,4+20,4	125	2,5	1,0	2,03	0,33+0,33	150

isopex - double pipe - heating - 10 bar

10.2.1



isopex - double pipe - heating - 10 bar - series 1

PEX pipe			Jacket pipe		Bending radius	Weight	Water quantity	Std length
d outside mm	Wall thickness mm	d inside mm	D outside mm	Wall thickness mm	m	kg/m	l/m	max. m
25+25	3,5	18,0+18,0	90	2,2	1,2	1,51	0,25+0,25	250
32+32	4,4	23,2+23,2	110	2,5	1,2	2,14	0,42+0,42	200
40+40	5,5	29,0+29,0	125	2,5	1,4	2,82	0,66+0,66	150
50+50	6,9	36,2+36,2	160	3,0	1,5	4,23	1,03+1,03	140
63+63	8,7	45,6+45,6	180	3,0	1,7	5,68	1,63+1,63	120
75+75	10,3	54,4+54,4	200	3,0	1,9	7,15	7,05+7,05	75

isopex - double pipe - heating - 10 bar - series 2

PEX pipe			Jacket pipe		Bending radius	Weight	Water quantity	Std length
d outside mm	Wall thickness mm	d inside mm	D outside mm	Wall thickness mm	m	kg/m	l/m	max. m
25+25	3,5	18,0+18,0	110	2,5	1,2	1,91	0,25+0,25	200
32+32	4,4	23,2+23,2	125	2,5	1,4	2,48	0,42+0,42	150
40+40	5,5	29,0+29,0	140	3,0	1,5	3,16	0,66+0,66	140
50+50	6,9	36,2+36,2	180	3,0	1,7	4,81	1,03+1,03	85
63+63	8,7	45,6+45,6	200	3,0	1,9	6,19	1,63+1,63	75

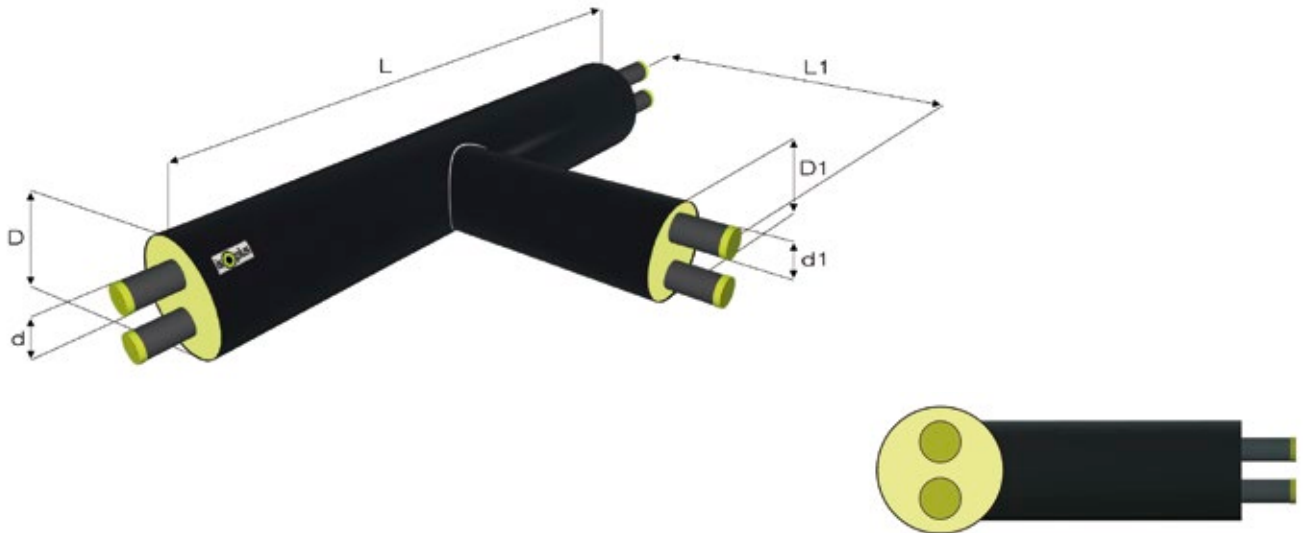


Bends with steel carrier pipe - double - heating

PEX pipe dp outside mm	Steel pipe d outside mm	Jacket pipe D outside mm	Length L mm
20+20	26,9+29,9	125	1000 x 1000
25+25	26,9+26,9	125	1000 x 1000
32+32	33,7+33,7	140	1000 x 1000
40+40	42,4+42,4	160	1000 x 1000
50+50	48,3+48,3	160	1000 x 1000
63+63	60,3+60,3	200	1000 x 1000
75+75	76,1+76,1	225	1000 x 1000

Bends are available with welded-on press weld adapters.
 Other leg lengths are also available.
 dp corresponds to the PEX pipe's diameter.

Branches with steel carrier pipe - straight - double - heating 10.2.3



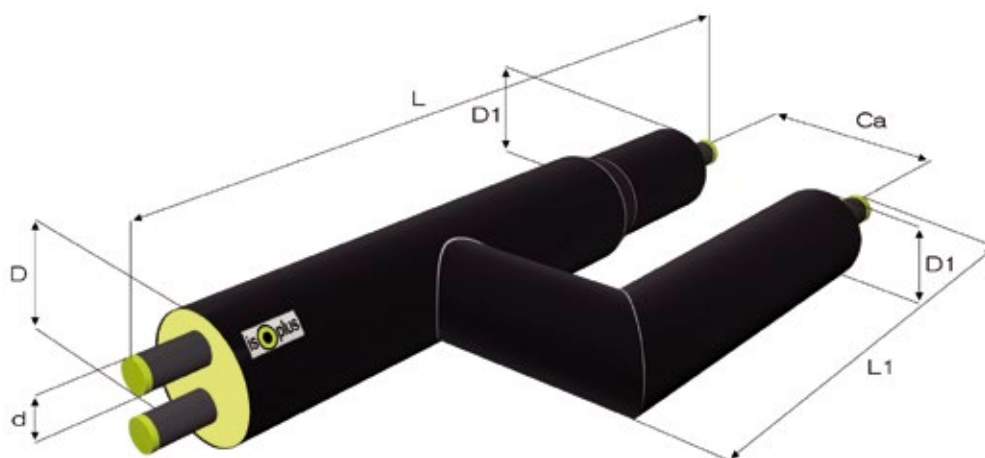
Branches with steel carrier pipe - straight - double - heating

	PEX pipe	dp (mm)	20+20	25+25	32+32	40+40	50+50	63+63	75+75
	Steel pipe	d (mm)	26,9+26,9	26,9+26,9	33,7+33,7	42,4+42,4	48,3+48,3	60,3+60,3	76,1+76,1
		D (mm)	125	125	140	160	160	200	225
		L (mm)	1000	1000	1000	1000	1000	1000	1200
PEX pipe dp1 mm	Steel pipe d1 mm	D1 mm	Branch L1 (mm)						
20+20	26,9+26,9	125	500	500	500	500	500	500	500
25+25	26,9+26,9	125		500	500	500	500	500	500
32+32	33,7+33,7	140			500	500	500	500	500
40+40	42,4+42,4	160				500	500	500	500
50+50	48,3+48,3	160					500	500	500
63+63	60,3+60,3	200						500	500
75+75	76,1+76,1	225							500

Tees are available with welded-on press weld adapters.
dp and dp1 corresponds to the PEX pipe's diameter.

Also available with 45°.

Breeches pipes with steel carrier pipe - H model - double - heating 10.2.4



Breeches pipes with steel carrier pipe - H model - double - heating

PEX pipe dp outside mm	Steel pipe d outside mm	Jacket pipe		Centre spacing Ca mm	Length	
		D outside mm	D1 outside mm		L mm	L1 mm
20+20	26,9+26,9	125	90	230	1100	550
25+25	26,9+26,9	125	90	230	1100	550
32+32	33,7+33,7	140	90	230	1200	600
40+40	42,4+42,4	160	110	271	1200	600
50+50	48,3+48,3	160	110	271	1200	600
63+63	60,3+60,3	200	125	280	1200	600
75+75	76,1+76,1	225	140	310	1200	600

Breeches pipes are available with welded-on press weld adapters.
 dp corresponds to the PEX pipe's diameter.
 D1 is available in other insulation classes.

Breeches pipes with steel carrier pipe - Y model - double - heating 10.2.5



Breeches pipes with steel carrier pipe - Y model - double - heating

PEX pipe	Steel pipe	Double pipe	Single pipe	Centre spacing	Length
dp outside mm	d outside mm	D outside mm	D1 outside mm	Ca mm	L mm
20+20	26,9+26,9	125	90	240	1500
25+25	26,9+26,9	125	90	240	1500
32+32	33,7+3,7	140	90	240	1500
40+40	42,4+42,4	160	110	260	1500
50+50	48,3+48,3	160	110	260	1500
65+65	60,3+60,3	200	125	275	1500
75+75	76,1+76,1	225	140	330	1500

Breeches pipes are available with welded-on press weld adapters.
 dp corresponds to the PEX pipe's diameter.
 D1 is available in other insulation classes.

Press fittings 6 bar - isopex - heating

10.3

Connector



PEX pipe d outside mm	20	25	32	40	50	63	75	90	110	125	140
--------------------------	----	----	----	----	----	----	----	----	-----	-----	-----

Connector 90°



PEX pipe d outside mm	20	25	32	40	50	63	75	90	110	125	140
--------------------------	----	----	----	----	----	----	----	----	-----	-----	-----

Nipple



PEX pipe d outside mm	20	25	32	40	50	63	75	90	110	125	140
Pipe thread	3/4"	3/4"	1"	1 1/4"	1 1/2"	2"	2 1/2"	3"	4"	5"	5"

Nipple 90°



PEX pipe d outside mm	20	25	32	40	50	63	75	90	110
Pipe thread	3/4"	3/4"	1"	1 1/4"	1 1/2"	2"	2 1/2"	3"	4"

Connector can also be delivered as 45°.

Nipple can also be delivered as 45°.

Press fittings 6 bar - isopex - heating

10.3.1

T-piece



Branch PEX	Run pipe PEX d outside mm										
d outside mm	20	25	32	40	50	63	75	90	110	125	140
20	x	x	x	x	x	x	x	x	x	x	x
25		x	x	x	x	x	x	x	x	x	x
32			x	x	x	x	x	x	x	x	x
40				x	x	x	x	x	x	x	x
50					x	x	x	x	x	x	x
63						x	x	x	x	x	x
75							x	x	x	x	x
90								x	x	x	x
110									x	x	x
125										x	x
140											x

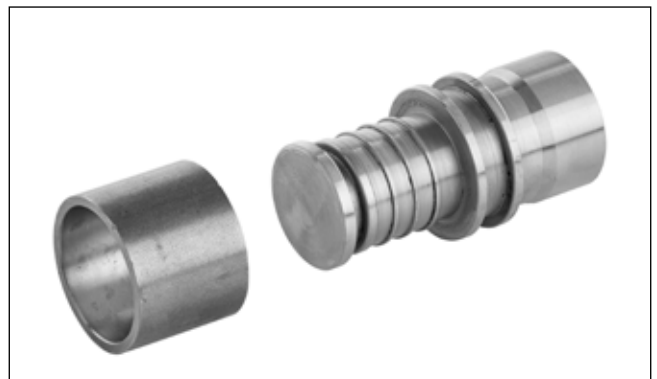
Also available with run pipe reduction, e.g. 63-32-50 mm.

Press weld adapter



PEX pipe d outside mm	20	25	32	40	50	63	75	90	110	125	140
Steel pipe d outside mm	26,9	26,9	33,7	42,4	48,3	60,3	76,1	88,9	114,3	139,7	168,3

Press adapter with blanking plug



PEX pipe d outside mm	25	32	40	50	63	75	90	110	125	140
Steel pipe d outside mm	26,9	33,7	42,4	48,3	60,3	76,1	88,9	114,3	139,7	168,3

Compression fittings 6 bar - isopex - heating

10.3.2

Connector



PEX pipe d outside mm	20	25	32	40	50	63	75	90	110	125	140
--------------------------	----	----	----	----	----	----	----	----	-----	-----	-----

Connector 90°



PEX pipe d outside mm	20	25	32	40	50	63	75	90	110	125	140
--------------------------	----	----	----	----	----	----	----	----	-----	-----	-----

Socket/nipple



PEX pipe d outside mm	20	25	32	40	50	63	75	90	110	125	140
Pipe thread	3/4"	3/4"	1"	1 1/4"	1 1/2"	2"	2 1/2"	3"	4"	5"	5"

Socket/nipple 90°



PEX pipe d outside mm	20	25	32	40	50	63	75	90	110	125	140
Pipe thread	3/4"	3/4"	1"	1 1/4"	1 1/2"	2"	2 1/2"	3"	4"	5"	5"

Sockets/nipples are also available with other pipe threads.

Compression fittings 6 bar - isopex - heating

10.3.3

T-piece



Branch PEX	Run pipe PEX d outside mm								
d outside mm	20	25	32	40	50	63	75	90	110
20	x	x	x	x	x	x	x	x	x
25		x	x	x	x	x	x	x	x
32			x	x	x	x	x	x	x
40				x	x	x	x	x	x
50					x	x	x	x	x
63						x	x	x	x
75							x	x	x
90								x	x
110									x

Also available with run pipe reduction, e.g. 63-32-50 mm.

Weld adapter



PEX pipe d outside mm	25	32	40	50	63	75	90	110	125	140
Steel pipe d outside mm	26,9	33,7	42,4	48,3	60,3	76,1	88,9	114,3	139,7	168,3

Press fittings 10 bar - isopex - heating

10.3.4

Connector



PEX pipe d outside mm	20	25	32	40	50	63
--------------------------	----	----	----	----	----	----

Connector 90°



PEX pipe d outside mm	20	25	32	40	50	63
--------------------------	----	----	----	----	----	----

Nipple



PEX pipe d outside mm	20	25	32	40	50	63
Pipe thread	3/4"	3/4"	1"	1 1/4"	1 1/2"	2"

Nipple 90°



PEX pipe d outside mm	20	25	32	40	50	63
Pipe thread	3/4"	3/4"	1"	1 1/4"	1 1/2"	2"

Connector can also be delivered as 45°.

Nipple can also be delivered as 45°.

Press fittings 10 bar - isopex - heating

10.3.5

T-piece



Branch PEX	Run pipe PEX d outside mm										
d outside mm	20	25	32	40	50	63	75	90	110	125	140
20	x	x	x	x	x	x	x	x	x	x	x
25		x	x	x	x	x	x	x	x	x	x
32			x	x	x	x	x	x	x	x	x
40				x	x	x	x	x	x	x	x
50					x	x	x	x	x	x	x
63						x	x	x	x	x	x
75							x	x	x	x	x
90								x	x	x	x
110									x	x	x
125										x	x
140											x

Also available with run pipe reduction, e.g. 63-32-50 mm.

Press weld adapter



PEX pipe d outside mm	20	25	32	40	50	63	75	90	110	125	140
Steel pipe d outside mm	26,9	26,9	33,7	42,4	48,3	60,3	76,1	88,9	114,3	139,7	168,3

Press adapter with blanking plug



PEX pipe d outside mm	25	32	40	50	63	75	90	110	125	140
Steel pipe d outside mm	26,9	33,7	42,4	48,3	60,3	76,1	88,9	114,3	139,7	168,3

Compression fittings 10 bar - isopex - heating

10.3.6

Connector



PEX pipe d outside mm	20	25	32	40	50	63	75	90	110	125	140
--------------------------	----	----	----	----	----	----	----	----	-----	-----	-----

Connector 90°



PEX pipe d outside mm	20	25	32	40	50	63	75	90	110	125	140
--------------------------	----	----	----	----	----	----	----	----	-----	-----	-----

Socket/nipple



PEX pipe d outside mm	20	25	32	40	50	63	75	90	110	125	140
Pipe thread	3/4"	3/4"	1"	1 1/4"	1 1/2"	2"	2 1/2"	3"	4"	5"	5"

Socket/nipple 90°



PEX pipe d outside mm	20	25	32	40	50	63	75	90	110	125	140
Pipe thread	3/4"	3/4"	1"	1 1/4"	1 1/2"	2"	2 1/2"	3"	4"	5"	5"

Sockets/nipples are also available with other pipe threads.

Compression fittings 10 bar - isopex - heating

10.3.7

T-piece



Branch PEX	Run pipe PEX d outside mm								
d outside mm	20	25	32	40	50	63	75	90	110
20	x	x	x	x	x	x	x	x	x
25		x	x	x	x	x	x	x	x
32			x	x	x	x	x	x	x
40				x	x	x	x	x	x
50					x	x	x	x	x
63						x	x	x	x
75							x	x	x
90								x	x
110									x

Also available with run pipe reduction, e.g. 63-32-50 mm.

Weld adapter



PEX pipe d outside mm	25	32	40	50	63	75	90	110	125	140
Steel pipe d outside mm	26,9	33,7	42,4	48,3	60,3	76,1	88,9	114,3	139,7	168,3